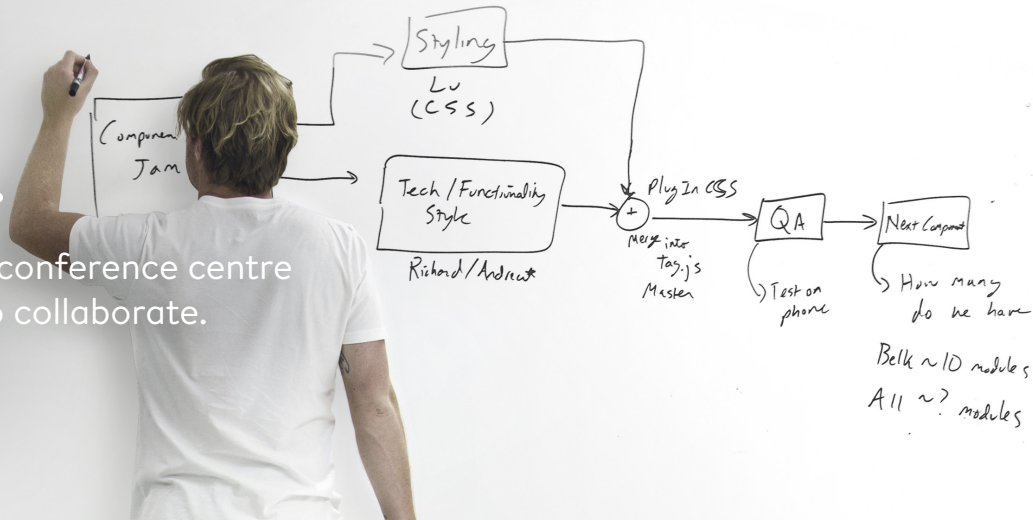


Imagine more space to create.

Turn any surface in your office, conference centre or school into an opportunity to collaborate.



WHITEBOARD PAINT

Why you'll love it

- Large, uninterrupted areas to plan and brainstorm with freedom
- Erases perfectly without leaving any marker residue
- Installed by authorised professionals
- More cost-effective than imported equivalents
- Manufactured in South Africa
- Up to 28% more eco-friendly than imported equivalents
- Used by leading South African schools and corporates
- Five year warranty to against cracking, staining, yellowing and peeling

How it's installed

Vicinity works with a network of appointed professionals, trained in applying our product. Should you wish to use your own contractor, we will supply you with a detailed instruction manual to facilitate application.

Size and colour options

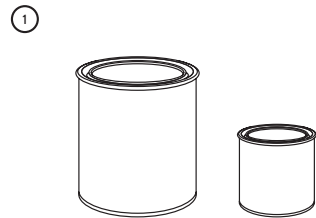
Colours	White or clear
Sizes	0.5 L (3 m ² coverage) 1 L (6 m ² coverage)

Purchase options

The product, equipment and accessories are conveniently packaged in three kits, which can be purchased together or separately, depending on your specific requirements and available equipment.

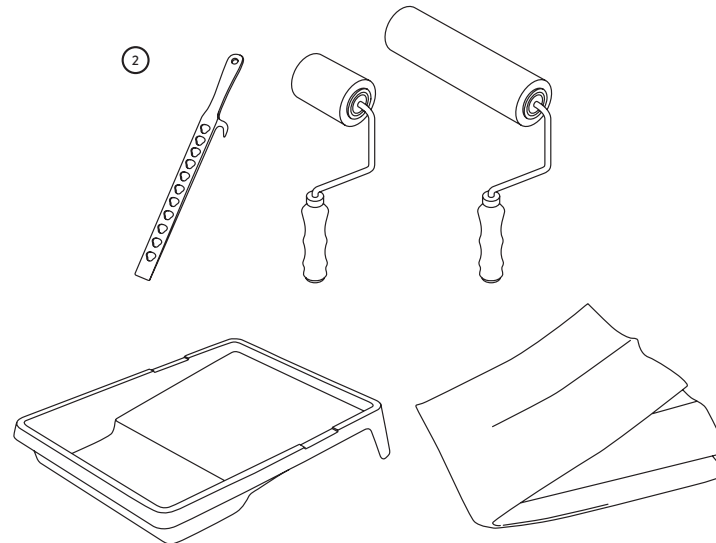
① Paint

- 1 x base tin
- 1 x activator tin



② Install kit

- Small paint roller
- Large paint roller
- Aerated stir stick
- Paint tray
- Plastic dropsheet



③ Accessories

- 4 x marker pens
- Spray bottle
- Microfibre cloth
- Pen tray

